

**Inverter Driven Heat Pump**

**9,000 BTU Single Zone Wall Mounted System**

Job Name \_\_\_\_\_  
 Location \_\_\_\_\_  
 Engineer \_\_\_\_\_  
 Submitted To \_\_\_\_\_  
 Submitted By \_\_\_\_\_  
 Reference \_\_\_\_\_

Date \_\_\_\_\_  
 Approval \_\_\_\_\_  
 Construction \_\_\_\_\_  
 Unit No \_\_\_\_\_  
 Drawing No \_\_\_\_\_

**PRODUCT FEATURES**

- Wireless remote controller
- Automatic airflow adjustment
- Auto/Cool/Dry/Fan/Heat/modes
- 24 Hr. timer
- Powerful mode
- Auto changeover
- Cold prevention



**MODEL NUMBERS**

Indoor Unit	ASU9RL2
Outdoor Unit	AOU9RL2
System	9RL2

**EFFICIENCIES**

SEER	16.0	
EER	10.9	
HSPF	9.0	
COP	kW/kW	3.81
	Btu/hW	13.0

**OUTDOOR TEMPERATURE OPERATION RANGE**

Cooling	°F(°C)	15 to 115 (-10 to 46)
Heating		15 to 75 (-10 to 24)

**CAPACITIES**

Cooling	Rated	BTU/hW	9,000
	Min.–Max.		1700 - 10700
Heating	Rated		10,000
	Min.–Max.		1700 - 12000

**LINESET REQUIREMENTS**

Connection Method	Flare	
Liquid	in (mm)	Ø1/4 in (Ø6.35)
Gas		Ø3/8 in (Ø9.52)
Pre-Charge Length		49 (15)
Minimum Length	ft (m)	10 (3)
Maximum Length		66 (20)
Max. Height Diff.		49 (15)

**INDOOR DIMENSIONS & WEIGHT**

Net (H x W x D)	in	10 - 5/16 x 32 - 9/32 x 8 - 1/8
	mm	262 x 820 x 206
Gross (H x W x D)	in	10 - 11/32 x 34 - 1/4 x 12 - 29/32
	mm	263 x 870 x 328
Net Weight		16 (7)
Gross Weight	lb (kg)	20 (9)

**OUTDOOR DIMENSIONS & WEIGHT**

Net (H x W x D)	in	21-1/4 x 26 x 11-11/32
	mm	(540x660x290)
Gross (H x W x D)	in	24x31x16
	mm	(610x787x406)
Net Weight		64
Gross Weight	lb (kg)	68



Indoor Unit ETL#: 3170288  
 Outdoor Unit ETL#: 91987

Effective Date: 4/11/2019

Version 9RL2 -2019B

**Warranty Information**



7 Year Compressor, 5 Year Parts out-of-the-box Warranty



10 Year Compressor, 10 Year Parts Warranty when registered within 30 days of installation in a residence



12 Year Compressor, 12 Year Parts Warranty when registered within 30 days of installation in a residence, and installed by a Fujitsu Elite contractor

**ACCESSORIES**

FJ-IR-WIFI-1NA	Intesis WiFi IR Module
----------------	------------------------

Due to continuous product improvements, specifications are subject to change without notice. Please log in to the Fujitsu Portal for the most up-to-date documentation <https://portal.fujitsugeneral.com>



**SUBMITTAL 9RL2**

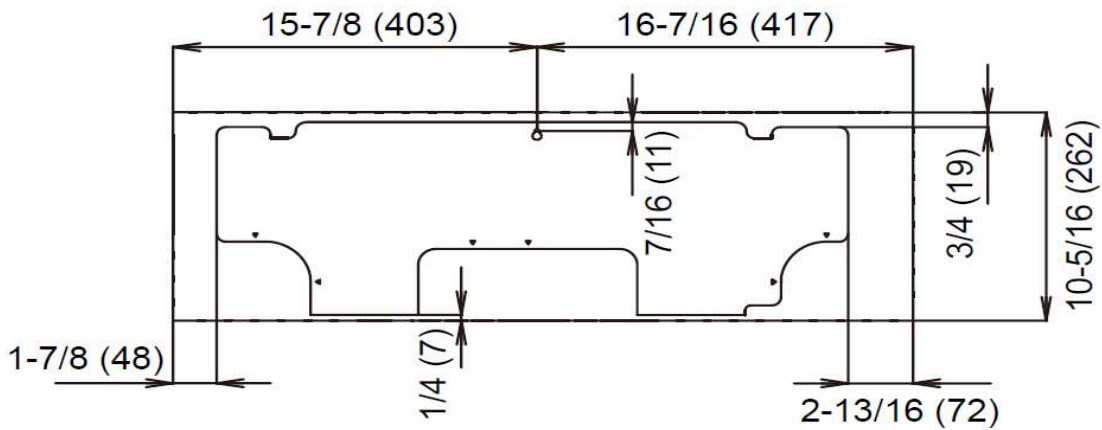


**Inverter Driven Heat Pump**

**9,000 BTU Single Zone Wall Mounted System**

FAN DATA				ELECTRICAL SPECIFICATIONS				
Indoor Unit Airflow Rate	Cooling	High	424 (720)	Voltage/Frequency/Phase		115V~ 60Hz		
		Medium	353 (600)	Voltage Range		103.5 - 126.5V		
		Low	247 (420)	Current	Cooling	Rated	A	7.5
		Quiet	191 (325)		Heating	Rated		7
	Heating	High	436 (740)	Maximum Operating Current		Cooling		13
		Medium	353 (600)			Heating		13.5
		Low	265 (450)	Starting Current		7.5		
		Quiet	191 (325)	MCA		13.5		
Outdoor Unit Airflow Rate		Cooling	1013 (1720)	Maximum Circuit Breaker		15		
		Heating	889 (1510)	Input Power	Cooling	Rated	kW	
					Min.-Max.	0.24 - 1.44		
				Heating	Rated	0.77		
				Min.-Max.	0.21 - 1.49			
				Power Factor	Cooling		%	
					Heating			96
<b>SOUND PRESSURE</b>				<b>OTHER</b>				
Indoor Unit	Cooling	High	43	Moisture Removal		pints/h (L/h) 2.7(1.3)		
		Medium	38	Energy Star		No		
		Low	33	Drain hose		Material PP+LLDPE		
		Quiet	23			Size in (mm) Ø 17/32 (13.8) (I.D.), Ø 1-1/16		
	Heating	High	43	Operation Range	Cooling	°F (°C)	64 to 90 (18 to 32)	
		Medium	38		%RH	80 or less		
		Low	33	Heating	°F (°C)	60 to 88 (16 to 30)		
		Quiet	23					
Outdoor Unit		Cooling	47					
		Heating	48					
<b>REFRIGERANT</b>								
Type		R410A						
Charge	lb oz	1 lb 7oz						
	g	650						
Oil Type		POE (RB68)						

**Wall Bracket Data:**

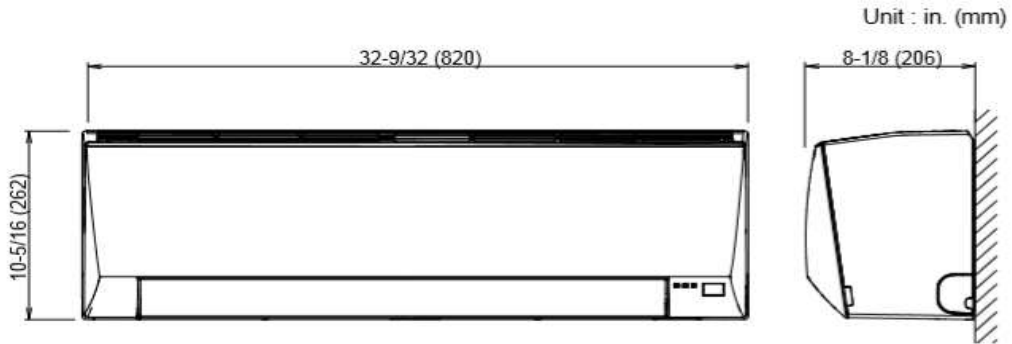


The Fujitsu logo is a worldwide trademark of Fujitsu General Limited. The Halcyon logo and name is a worldwide trademark of Fujitsu General Limited and is a registered trademark in Japan, the USA and other countries or areas. Copyright 2018 Fujitsu General America, Inc. Fujitsu's products are subject to continuous improvements. Fujitsu reserves the right to modify product design, specifications and information in this brochure without notice and without incurring any obligations.

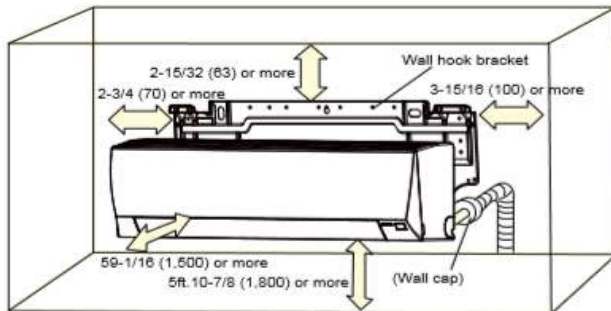
Note: Specifications are based on the following conditions:  
 Cooling: Indoor temperature of 80°F (26.7°C) DB/67°F (19.4°C) WB, and outdoor temperature of 95°F (35°C) DB/75°F (23.9°C) WB. Heating: Indoor temperature of 70°F (21.1°C) DB/60°F (15.6°C) WB, and outdoor temperature of 47°F (8.3°C) DB/43°F (6.1°C) WB. Pipe length: 25ft. (7.5m), Height difference: 0ft. (0m) (Outdoor unit - indoor unit).

DIMENSIONS

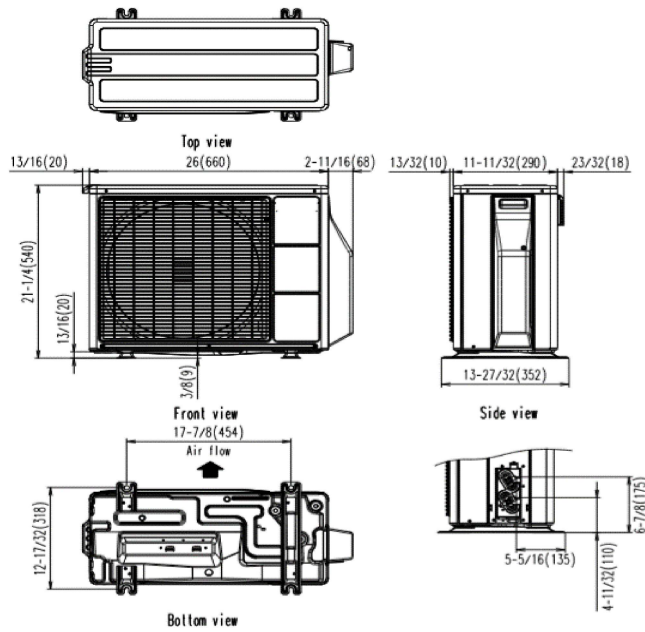
Units: In. (mm)



■ INSTALLATION PLACE



Unit : in.(mm)



The Fujitsu logo is a worldwide trademark of Fujitsu General Limited. The Halcyon logo and name is a worldwide trademark of Fujitsu General Limited and is a registered trademark in Japan, the USA and other countries or areas. Copyright 2018 Fujitsu General America, Inc. Fujitsu's products are subject to continuous improvements. Fujitsu reserves the right to modify product design, specifications and information in this brochure without notice and without incurring any obligations.

Note: Specifications are based on the following conditions:  
Cooling: Indoor temperature of 80°F (26.7°C) DB/67°F (19.4°C) WB, and outdoor temperature of 95°F (35°C) DB/75°F (23.9°C) WB. Heating: Indoor temperature of 70°F (21.1°C) DB/60°F (15.6°C) WB, and outdoor temperature of 47°F (8.3°C) DB/43°F (6.1°C) WB. Pipe length: 25ft. (7.5m), Height difference: 0ft. (0m) (Outdoor unit – indoor unit).