

# QUICK REFERENCE GUIDE



Model Number	Wall-Mounted Indoor Units						Ceiling Cassette Indoor Units						Medium Static Ducted Indoor Unit						Ceiling / Floor Indoor Unit				
	MWMCS4-1P			3WMB036S4-1P			M22A***S4-2P		M33A024S4-2P	M33A036S4-2P	M33B048S4-2P	MMDB***S4-2P						MFMA012S4-1P	MCFB018S4-2P		MCFA***S4-2P		
009	012	018	024	030	036	009	012	018	024	036	048	009	012	018	024	036	048	012	018	024	036	048	
Cooling (Btu/h)	9,000	12,000	18,000	24,000	30,000	36,000	9,000	12,000	18,000	24,000	36,000	48,000	9,000	12,000	18,000	24,000	36,000	48,000	12,000	18,000	24,000	36,000	48,000
Heating (Btu/h)	9,800	12,000	18,000	25,000	30,000	36,000	10,000	12,000	18,000	24,400	38,000	50,000	10,000	12,000	18,000	24,400	40,000	49,500	12,000	18,000	24,000	38,000	50,000
Air Volume (CFM) - H/M/L	335/230/176	335/230/176	524/476/306	611/414/319	646/505/382	794/647/500	375/300/255	380/310/260	560/485/415	700/635/575	1,095/960/810	1,175/1,030/855	353/282/176	353/282/176	529/450/371	775/693/435	1082/912/703	1228/1031/715	365/318/248	580/520/465	760/710/600	1,035/915/640	1350/1120/1000
V/Ph	208-230/1	208-230/1	208-230/1	208-230/1	208-203/1	208-230/1	208-230/1	208-230/1	208-230/1	208-230/1	208-230/1	208-230/1	208-230/1	208-230/1	208-230/1	208-230/1	208-230/1	208-230/1	208-230/1	208-230/1	208-230/1	208-230/1	208-230/1
Condensate Lift (in)	-	-	-	-	-	-	27.5	27.5	27.5	27.5	27.5	27.5	27.5	27.5	27.5	27.5	27.5	27.5	-	-	-	-	-
Dimensions WxHxD (in)	32-7/8x11x8-1/4	32-7/8x11x8-1/4	39x12-3/8x8-5/8	46-3/4x13-1/2x10-1/4	46-3/4x13-1/2x10-1/4	46-3/4x13-1/2x10-1/4	22-1/2x10-3/8x22-1/2	22-1/2x10-3/8x22-1/2	22-1/2x10-3/8x22-1/2	33-1/8x8-1/8x33-1/8	33-1/8x9-5/8x33-1/8	33-1/8x11-1/4x33-1/8	27-5/8x7-7/8x19-7/8	27-5/8x7-7/8x19-7/8	34-5/8x8-1/4x26-1/2	43-1/4x9-3/4x30-1/2	53-1/2x9-3/4x30-1/2	47-1/4x11-7/8x34-3/8	27-1/2x23-5/8x8-1/4	42x9-1/4x26-5/8	42-1/8x9-1/4x26-5/8	50-5/8x9-1/4x26-5/8	65x9-1/4x26-5/8
Sound Data (dBA) - H/M/L	26.5/33.4/41.7	45.1/35.8/28.6	46.2/36.3/30.9	51.7/44.5/35.1	49/42/37.5	48.5/44/38	41/37/33	43/39/36	44/39/36	51/47/43	55/52/49	55/52/49	33.5/28.5/27	38/34.5/31	40/37.5/35	44/41/37	48/43.5/40.5	52/50/49	43/39/33	46/43/39	51/47/42	52/48/41	55/50/45
Net Weight (lb)	23	23	27	44	44	40	32	36	36	47	58	64	38	38	54	87	106	120	33	58	61	69	88
Static (in w.g.)	-	-	-	-	-	-	-	-	-	-	-	-	0.16	0.16	0.40	0.64	0.64	0.64	-	-	-	-	-

Model Number	Single-Zone Outdoor Units												Multi-Zone Outdoor Units										
	MPC012S4S-1L	MPC***S4S-1P						3PB036S4S-1P	MLB***S4S-1P (Low Ambient)					MPC***S4M-1P				MLB***S4M-1P					
012	009	012	018	024	030	036	048	036	009	012	018	024	036	048	018	030	036	048	018	030	036	048	
Cooling (Btu/h)	12,000	9,000	12,000	18,000	24,000	30,000	36,000	48,000	36,000	9,000	12,000	17,000	24,000	36,000	48,000	18,000	28,000	36,000	49,000	19,000	28,000	36,000	48,000
Heating (Btu/h)	12,000	10,000	12,000	18,000	25,000	30,000	38,000	50,000	36,000	10,900	12,000	18,000	24,000	38,000	50,000	19,000	28,000	37,000	50,000	20,000	28,500	37,000	49,000
Air Volume (CFM)	1,295	1,200	1,200	1,470	2,235	2,130	2,530	4,470	2,130	1,120	1,180	1,355	2,355	4,470	4,470	1,765	2,130	2,150	4,500	2,150	2,355	4,470	4,500
V/Ph	115/1	208-230/1	208-230/1	208-230/1	208-230/1	208-230/1	208-230/1	208-230/1	208-230/1	208-230/1	208-230/1	208-230/1	208-230/1	208-230/1	208-230/1	208-230/1	208-230/1	208-230/1	208-230/1	208-230/1	208-230/1	208-230/1	208-230/1
MCA / MOCP	19/25	13/15	13/15	17/25	18 / 25	20 / 30	30 / 50	35 / 50	25 / 35	9 / 15	9 / 15	18 / 25	20 / 30	39/50	36.3/50	18 / 25	24.5/30	25/40	35 / 50	25/35	30/45	35 / 50	35/50
Ref. Charge (oz)	40	40	40	56	83	91	108	148	120	51	51	67	87	49.4	49.4	71	99	106	162	99	106	162	10.2
Ref. Precharge (ft)	15	15	15	15	25	25	25	25	25	25	25	25	25	25	25	25	25	25	25	25	25	25	25
Addit'l Charge / ft (oz)	0.16	0.16	0.16	0.16	0.32	0.32	0.32	0.32	0.32	0.16	0.16	0.16	.32	0.32	0.32	0.16	0.16	0.16	0.16	0.16	0.16	0.32	.16 (1/4 in.) / .32 (3/8 in.)
Dimensions WxHxD (in)	31-1/2 x 21-7/8 x 13-1/8	30-3/8 x 21-7/8 x 11-7/8	31-1/2 x 21-7/8 x 13-1/8	33-1/4 x 27-1/2 x 13	37-1/4 x 37-7/8 x 17-7/8	37-1/4 x 37-7/8 x 17-7/8	37-1/4 x 37-7/8 x 17-7/8	37-1/4 x 37-7/8 x 17-7/8	37-1/4 x 31-7/8 x 17-7/8	34-1/4 x 21-3/4 x 14-5/8	34-1/4 x 21-3/4 x 14-5/8	36 x 27-5/8 x 14-3/4	40-3/4 x 31-7/8 x 18	37-1/2 x 52-1/2 x 16-3/8	37-1/2 x 52-1/2 x 16-3/8	39 x 26-1/2 x 15	39 x 26-1/2 x 15	37-1/4 x 31-7/8 x 17-7/8	37-1/2 x 52-1/2 x 16-3/8	40-5/8 x 31-7/8 x 18	40-5/8 x 31-7/8 x 18	41-1/8 x 52-1/2 x 16-3/8	37-1/2 x 52-1/2 x 16-3/8
Sound Data (dBA)	54	53	53.5	58	61	59	66	62.5	59	52	52	56	57	65	65	58.5	61	63	64	63.4	62.3	64	64
Net Weight (lb)	67	64	64	95	137	149	149	218	146	88	88	108	136	222	227	100	140	169	224	150	157	224	239

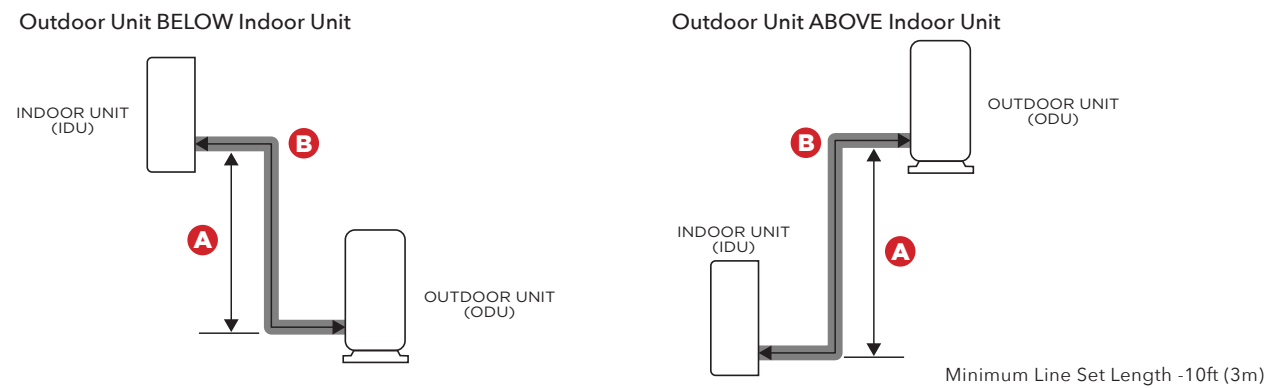
Model Number	Single-Zone Heat Pump System						Single-Zone Air Conditioning System								
	MHB***S4S-1L / MWH***S4S-1L		MHB***S4S-1P / MWHB***S4S-1P				MCB012S4S-1L / MWCB012S4S-1L		MCB***S4S-1P / MWCB***S4S-1P						
009	012	009	012	018	024	012	009	012	018	024	012	009	012	018	024
Cooling (Btu/h)	9,000	12,000	9,000	12,000	18,000	24,000	9,000	12,000	18,000	24,000	12,000	9,000	11,500	17,000	22,000
Heating (Btu/h)	10,000	12,000	9,000	12,000	18,000	24,000	10,000	12,000	18,000	24,000	-	-	-	-	-
V/Ph	115/1	115/1	208-230/1	208-230/1	208-230/1	208-230/1	115/1	208-230/1	208-230/1	208-230/1	115/1	208-230/1	208-230/1	208-230/1	208-230/1
MCA / MOCP	20/30	18.5/25	12/15	15/15	15/20	19/30	30/18	15/11	15/11	20/16	20/16	15/11	15/11	20/16	20/16
Ref. Charge (oz.)	30	30	30	30	44	63	21	18	19	32	41	18	25	25	25
Ref. Precharge (ft.)	25	25	25	25	25	25	25	25	25	25	25	25	25	25	25
Addit'l Charge/Ft (oz)	0.16	0.16	0.16	0.16	0.16	0.32	0.16	0.16	0.16	0.32	0.16	0.16	0.16	0.16	0.32

Outdoor																						
Air Volume (CFM)	1294		1235		1294		1235		1235		1765		1059		1059		1059		1235		1253	
Dimensions WxHxD (in)	32-7/8 X 21-7/8 X 11-1/4		32-7/8 X 21-7/8 X 11-1/4		32-7/8 X 21-7/8 X 11-1/4		34-1/4 X 21-7/8 X 13-3/8		34-1/4 X 21-7/8 X 13-3/8		36 X 27-5/8 X 13-3/4		31-1/8 X 19-1/2 X 10		31-1/8 X 19-1/2 X 10		31-1/8 X 19-1/2 X 10		32-7/8 x 21-7/8 x 11-1/4		34-1/2 X 21-7/8 X 12-1/2	
Sound Data (dBA)	55		53.5		54.5		53.5		57		60		51.5		51		51.5		53.5		57	
Net Weight (lb)	58		63		55		60		74		98		51		48		49		62		68	

Indoor																						
Air Volume (CFM) - H/M/L	239/170/137		300/241/176		246/176/141		291/197/156		459/329/271		546/402/331		333/253/211		246/205/147		324/232/194		471/353/306		588/471/400	
Dimensions WxHxD (in)	29-5/8 X 11-3/8 X 8-5/8		32-3/4 X 11-3/4 X 8-3/4		29-5/8 X 11-3/8 X 8-5/8		31-3/4 X 11-5/8 X 7-7/8		38-1/4 X 12-3/4 X 9-1/8		42-5/8 X 13-1/4 X 9-3/8		31-3/4 X 11-5/8 X 7-7/8		28-3/4 X 11-1/2 X 8-1/8		31-3/4 X 11-5/8 X 7-7/8		38-1/4 X 12-3/4 X 9-1/8		42-5/8 X 13-1/4 X 9-3/8	
Sound Data (dBA) - H/M/L	37.5/28/20		41/35/26.5		37/28/20		41/35/24		45/38/30		45/39.5/36		40.5/35.5/33		35/31/22.5		40/35.5/30.5		46/38.5/31.5		47.5/39.5/36	
Net Weight (lb)	18		19		18		19		25		30		20		18		19		25		30	

# QUICK REFERENCE GUIDE

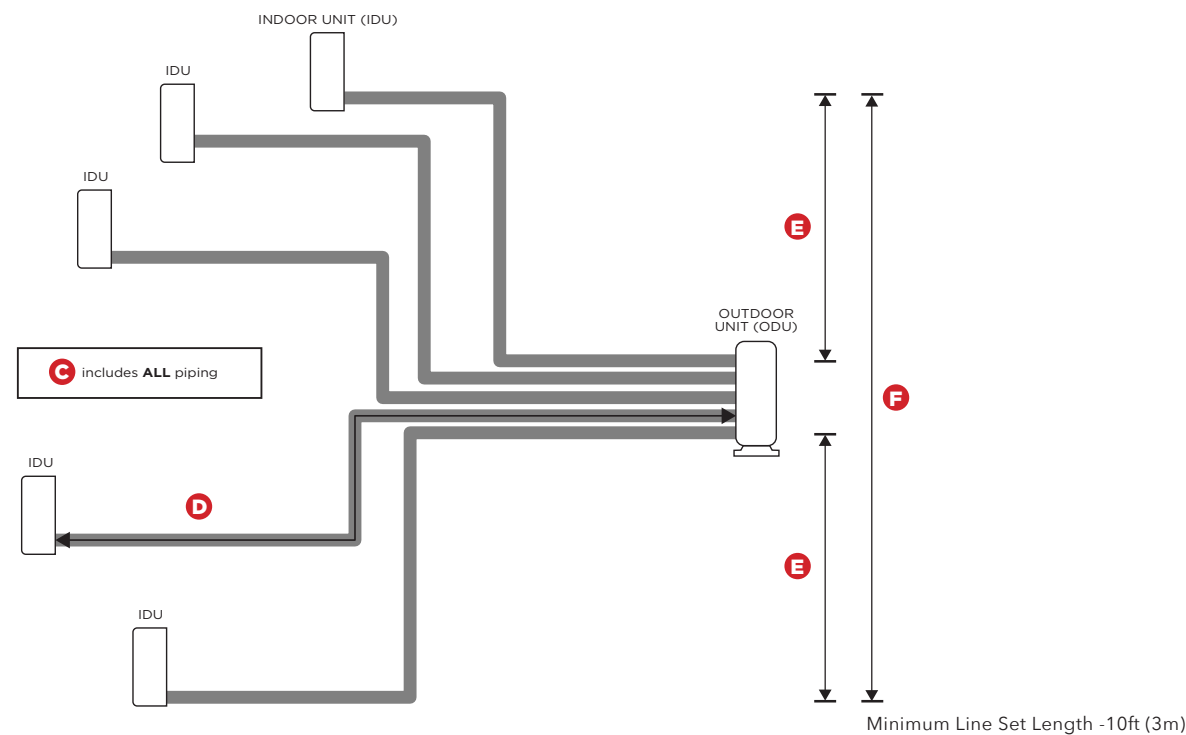
## Piping Limitations (Single-Zone, Mini-Split Systems)



## Single-Zone Pipe Length

Model Number	009	012	018	024	030	036	048
Liquid Line Set Diameter [in]	1/4	1/4	1/4	3/8	3/8	3/8	3/8
Vapor Line Set Diameter [in]	3/8	1/2	1/2	5/8	5/8	5/8	5/8
Max Elevation ODU to IDU [ft (m)] - A	33 (10)	33 (10)	66 (20)	82 (25)	82 (25)	98 (30)	98 (30)
Max Pipe Length [ft (m)] - B	82 (25)	82 (25)	98 (30)	164 (50)	164 (50)	213 (65)	213 (65)




## Piping Limitations (Multi-Zone, Mini-Split Systems)



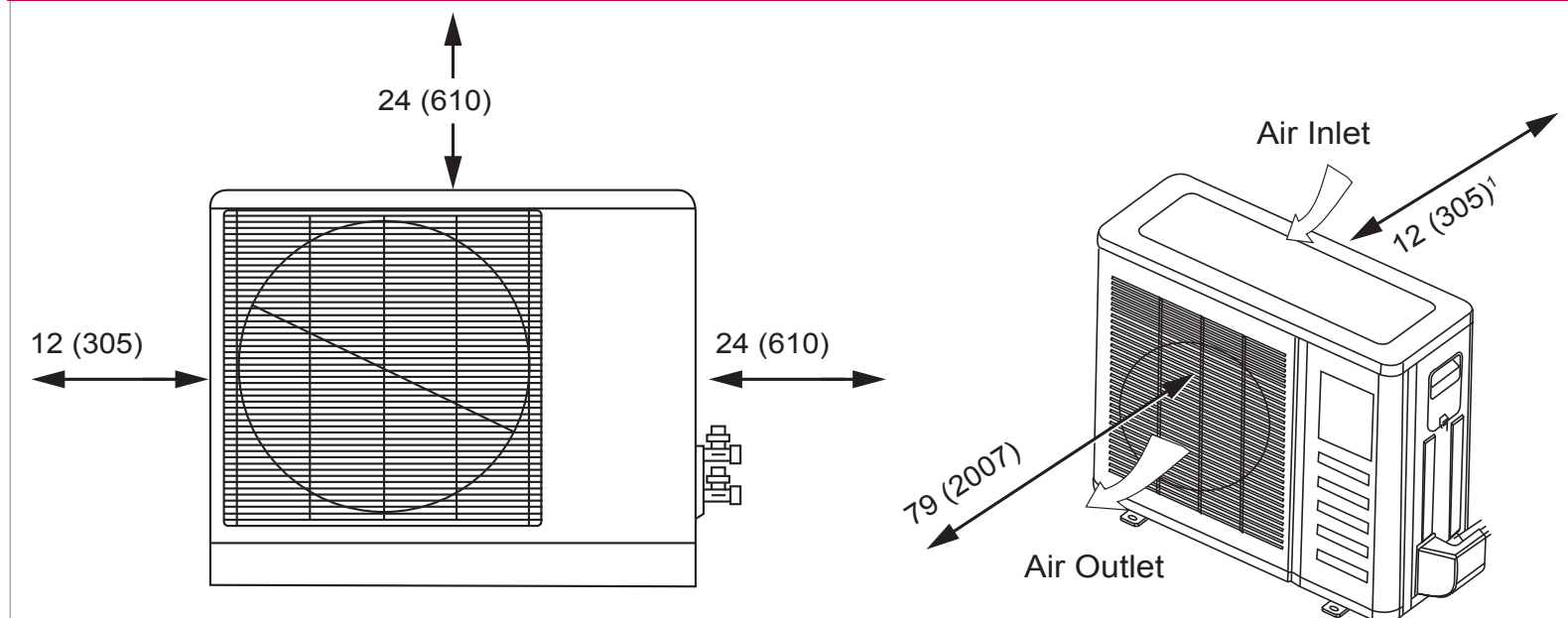
## Multi-Zone Pipe Length

Size	018	024	030	036	048
Maximum Number of IDUs	2	3	3	4	5
MPB Max (Total) Pipe Length for all IDUs [ft (m)] - C	131 (40)	197 (60)	197 (60)	262 (80)	262 (80)
MLB Max (Total) Pipe Length for all IDUs [ft (m)] - C	131 (40)	197 (60)	197 (60)	262 (80)	262 (80)
MPB Max Pipe Length for One IDU [ft (m)] - D	82 (25)	98 (30)	98 (30)	115 (35)	115 (35)
MLB Max Pipe Length for One IDU [ft (m)] - D	82 (25)	98 (30)	98 (30)	115 (35)	115 (35)
Max Elevation ODU to IDU [ft (m)] - E	49 (15)	49 (15)	49 (15)	49 (15)	49 (15)
Max Elevation IDU to IDU [ft (m)] - F	33 (10)	33 (10)	33 (10)	33 (10)	33 (10)

## Lennox Mini-Split Local Controllers

	 <b>Wired MOSTAT61Q-1</b>	 <b>Wireless MOSTAT60Q-1</b>	 <b>Programmable MOSTAT64Q-2</b>
Dimensions (in)	4.72 x 4.72 x 0.83	5.70 x 2.16 x 0.86	4.88 x 4.75 x 0.75
Ships Standard	MMD*	MWM*, M22A, M33*, MCF*	N/A
Controller Features			
LED Display	•	•	•
Operation Mode Toggle (Auto - Cool - Dry - Heat - Fan)	•	•	•
Fan-Speed Toggle (Auto - Low - Medium - High)	•	•	•
Temperature Toggle Fahrenheit - Celsius	•	•	•
Louver Swing	•	•	•
Setpoint Control	•	•	•
Time On/Off	•	•	•
Follow Me	•	•	•
Programmable Schedule	•	•	•

## Outdoor Unit Clearance – Inches (mm)



\*Minimum rear clearance can be 6 inches (152mm) when mounted on brackets and with no obstruction on the other three sides.



Visit us at [www.lennox.com](http://www.lennox.com)  
 For the latest technical information, [www.lennoxcommercial.com](http://www.lennoxcommercial.com)  
 Contact us at 1-800-4-LENNOX

©2022 Lennox Industries, Inc.  
 (13U77) 4/22 PC92331